

GE120-XL

Large-format rectangular linear bar grill 120'.

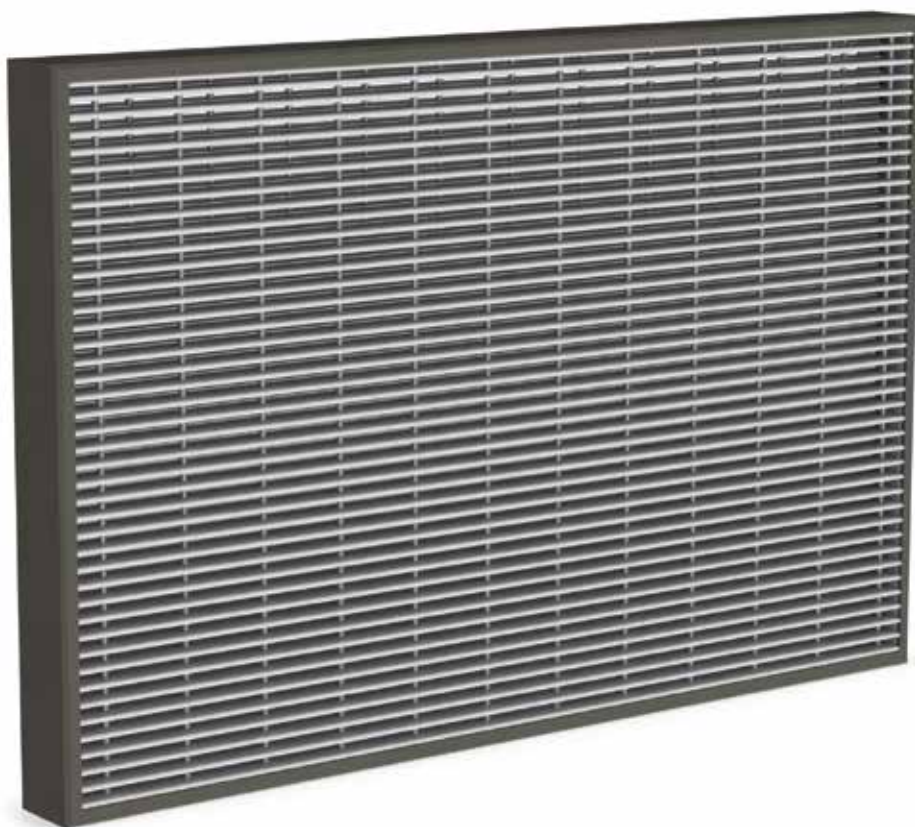







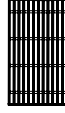
Table of content

Classification overview	3
Product presentation GE120-XL	4
Range and dimensions GE120-XL	4
Storage and handling	4
Installation	4
Installation in a rigid wall	5
Weights	6
Selection data	6
Sample order	7
Approvals and certificates	7

Explanation of the abbreviations and pictograms

Wn = nominal width	S = smoke leakage	o -> i = meets the criteria from the outside (o) to the inside (i)
Hn = nominal height	W = radiation	GKB (type A) / GKF (type F): "GKB" stands for standard plasterboards (type A according to EN 520) while "GKF" plasterboards offer a higher fire resistance for a similar plate thickness (type F according to EN 520)
Sn = free air passage	Pa = pascal	Q = air flow
Dn = nominal diameter	ve = vertical wall penetration	
E = integrity	ho = horizontal floor penetration	
I = thermal insulation	i <-> o = fire side not important	

	large dimensions		suitable for installation in rigid wall
	suitable for built-in installation		rectangular linear bar (see-through)

Essential characteristics			Harmonised standard		
Range	Wall type	Wall	Sealing	Installation	Performance Classification
200x500 mm / 900x200 mm ≤ Ge120-XL ≤ 1200x800 mm	Rigid wall	Aerated concrete ≥ 100 mm	Gypsum / Ytocol	1	EI 120 (v _e i ↔ o)
200x500 mm / 900x200 mm ≤ Ge120-XL ≤ 1200x800 mm	Rigid wall	Aerated concrete ≥ 100 mm	Gypsum / Ytocol	1	EW 120 (ve i no)
200x500 mm / 900x200 mm ≤ Ge120-XL ≤ 1200x800 mm	Rigid wall	Aerated concrete ≥ 100 mm	Gypsum / Ytocol	2	EI 180 (v _e i ↔ o)
200x500 mm / 900x200 mm ≤ Ge120-XL ≤ 1200x800 mm	Rigid wall	Aerated concrete ≥ 100 mm	Gypsum / Ytocol	2	EW 120 (ve i no)
1	Type of installation: built-in, sleeves horizontal			2	Type of installation: built-in in lower part of the wall, sleeves horizontal 

Product presentation GE120-XL

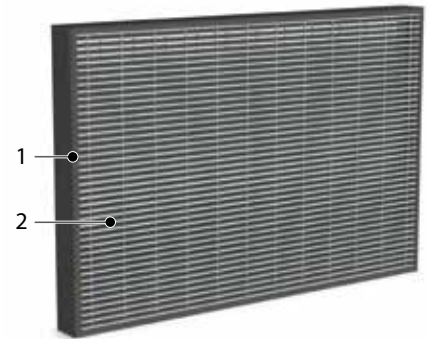
Linear bar grill ensuring up to 120 minutes fire resistance in rigid walls, available in large formats till 1200x800 mm.

- ☑ large dimensions
- ☑ easy to install



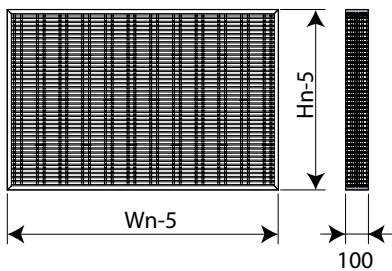
- suitable for built-in installation
- tested in accordance with EN 1364-1
- suitable for installation in rigid wall
- rectangular linear bar (see-through)
- for indoor use
- sealing with gypsum or block glue

1. reinforced frame in HDF
2. slats in synthetic material, filled with intumescent fire-resistant strips (as from 100°C)



Range and dimensions GE120-XL

Wn/Hn in steps of 100 mm



	IV	IA
(B x H) mm	200x500	1200x800

Storage and handling

As this product is a safety element, it should be stored and handled with care.

It is recommended:

- to unload in a dry area
- to keep in a cool, dry area, protected from humidity and heat
- to transport the product in a closed vehicle
- to transport the product with the lamellas in their horizontal position, by holding the grill at the sides (not at the upper or lower frame board!)

Installation

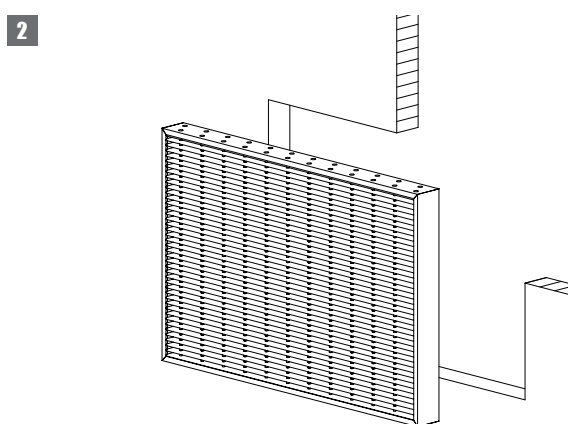
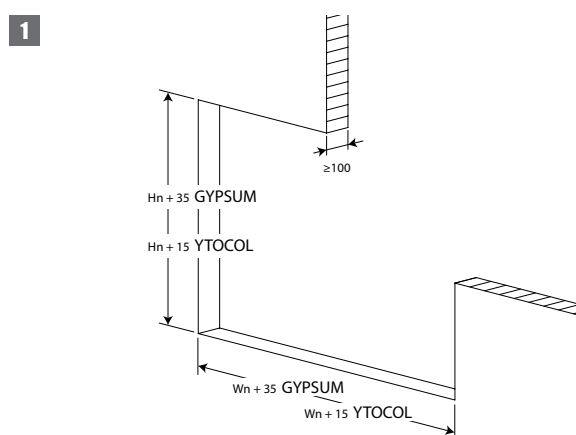
General points

- The installation must comply with the installation manual and the classification report.
- Rf-t fire resistant grills are always tested in standardised constructions according to EN 1634-1/EN 1364-1/EN 1364-2. The achieved results are valid for similar supporting constructions with a fire resistance, thickness and density equal or superior to the supporting construction used during the test.

Installation in a rigid wall

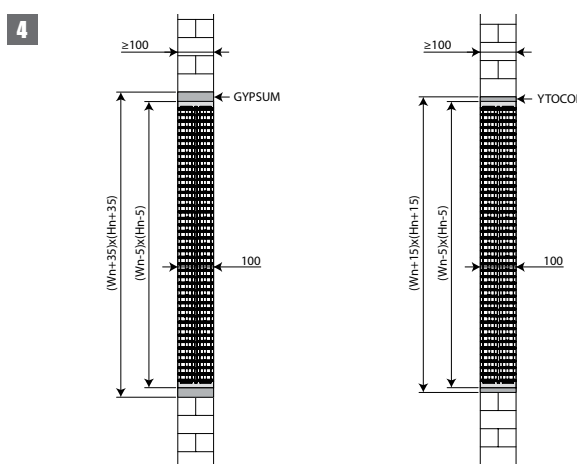
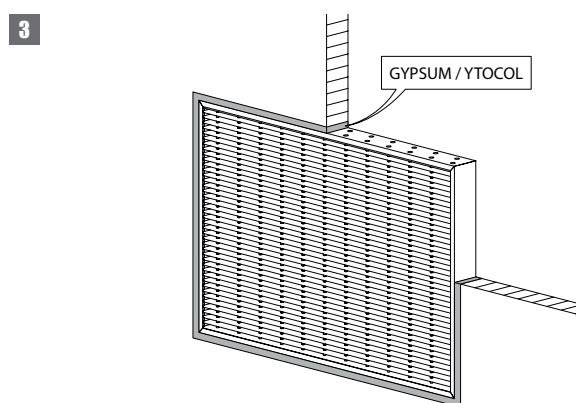
The product was tested and approved in:

Range	Wall type	Sealing	Classification	
200x500 mm / 900x200 mm ≤ Ge120-XL ≤ 1200x800 mm	Rigid wall	Aerated concrete ≥ 100 mm	Gypsum / Ytocol	EI 120 (v _e i ↔ o)
200x500 mm / 900x200 mm ≤ Ge120-XL ≤ 1200x800 mm	Rigid wall	Aerated concrete ≥ 100 mm	Gypsum / Ytocol	EW 120 (v _e i ↔ o)
200x500 mm / 900x200 mm ≤ Ge120-XL ≤ 1200x800 mm	Rigid wall	Aerated concrete ≥ 100 mm	Gypsum / Ytocol	EI 180 (v _e i ↔ o)
200x500 mm / 900x200 mm ≤ Ge120-XL ≤ 1200x800 mm	Rigid wall	Aerated concrete ≥ 100 mm	Gypsum / Ytocol	EW 120 (v _e i ↔ o)



1. Provide a min. installation opening in the wall = $W_n \times H_n$.
Maximum $(W_n + 35) \times (H_n + 35)$ for plaster (gypsum) and maximum $(W_n + 15) \times (H_n + 15)$ for Ytocol.

2. Mount the grill in the wall.
The product must be installed with the lamellas in their horizontal position.



3. Fill the joint between the grill and the wall with plaster (gypsum) or Ytocol.

Maintenance

- Clean with a soft tissue, moisten with a mild, soapy water. Do not use a scrub sponge, alkaline/acid cleanser or solvents such as alcohol and thinner. The use of such materials can damage the grill.

Weights

GE120-XL

Hn\Wn [mm]		200	300	400	500	600	700	800	900	1000	1100	1200				
500	kg	5,7	7,8	10,0	12,1	14,3	16,4	18,6	20,8	22,9	25,1	27,2				
600	kg	6,6	9,1	11,6	14,1	16,6	19,2	21,7	24,2	26,7	29,2	31,7				
700	kg	7,7	10,7	13,6	16,5	19,4	22,4	25,3	28,2	31,1	34,1	37,0				
800	kg	8,7	12,0	15,2	18,5	21,8	25,1	28,4	31,6	34,9	38,2	41,5				
200	kg	9,2	10,2	11,2	12,1											
300	kg	13,3	14,7	16,1	17,5											
400	kg	16,7	18,4	20,2	21,9											

Selection data

GE120-XL - free air passage (m²)

Hn\Wn [mm]		200	300	400	500	600	700	800	900	1000	1100	1200
500	Sn [m ²]	0,0433	0,0712	0,0991	0,1270	0,1548	0,1827	0,2106	0,2385	0,2663	0,2942	0,3221
	Sn [%]	43,33	47,47	49,54	50,78	51,61	52,20	52,65	52,99	53,27	53,49	53,68
	Q[-2Pa] m ³ /h	224,04	364,61	505,17	645,74	786,31	926,88	1.067,44	1.208,01	1.348,58	1.489,15	1.629,71
	Q[-10Pa] m ³ /h	548,80	867,09	1.185,38	1.503,67	1.821,96	2.140,24	2.458,53	2.776,82	3.095,11	3.413,40	3.731,68
600	Sn [m ²]	0,0525	0,0862	0,1200	0,1538	0,1875	0,2213	0,2551	0,2888	0,3226	0,3564	0,3901
	Sn [%]	43,73	47,91	50,00	51,26	52,09	52,69	53,14	53,49	53,77	53,99	54,18
	Q[-2Pa] m ³ /h	270,19	440,45	610,71	780,96	951,22	1.121,48	1.291,74	1.462,00	1.632,26	1.802,51	1.972,77
	Q[-10Pa] m ³ /h	653,30	1.038,82	1.424,33	1.809,85	2.195,37	2.580,89	2.966,40	3.351,92	3.737,44	4.122,96	4.508,47
700	Sn [m ²]	0,0616	0,1013	0,1409	0,1806	0,2202	0,2599	0,2995	0,3392	0,3788	0,4185	0,4582
	Sn [%]	44,02	48,23	50,33	51,60	52,44	53,04	53,49	53,84	54,12	54,35	54,54
	Q[-2Pa] m ³ /h	316,34	516,29	716,24	916,19	1.116,13	1.316,08	1.516,03	1.715,98	1.915,93	2.115,88	2.315,83
	Q[-10Pa] m ³ /h	757,80	1.210,54	1.663,29	2.116,04	2.568,78	3.021,53	3.474,28	3.927,02	4.379,77	4.832,52	5.285,26
800	Sn [m ²]	0,0716	0,1177	0,1638	0,2099	0,2560	0,3021	0,3482	0,3943	0,4404	0,4865	0,5326
	Sn [%]	44,78	49,06	51,20	52,48	53,34	53,95	54,41	54,76	55,05	55,28	55,48
	Q[-2Pa] m ³ /h	366,81	599,24	831,66	1.064,09	1.296,51	1.528,93	1.761,36	1.993,78	2.226,20	2.458,63	2.691,05
	Q[-10Pa] m ³ /h	872,09	1.398,37	1.924,65	2.450,93	2.977,21	3.503,48	4.029,76	4.556,04	5.082,32	5.608,60	6.134,88
200	Sn [m ²]	0,0779	0,0870	0,0961	0,1052							
	Sn [%]	43,29	43,51	43,70	43,85							
	Q[-2Pa] m ³ /h	398,43	444,36	490,29	536,22							
	Q[-10Pa] m ³ /h	943,68	1.047,68	1.151,67	1.255,67							
300	Sn [m ²]	0,1330	0,1486	0,1641	0,1796							
	Sn [%]	49,26	49,52	49,73	49,90							
	Q[-2Pa] m ³ /h	676,23	754,63	833,03	911,44							
	Q[-10Pa] m ³ /h	1.572,70	1.750,23	1.927,75	2.105,28							
400	Sn [m ²]	0,1834	0,2048	0,2262	0,2477							
	Sn [%]	50,94	51,20	51,42	51,60							
	Q[-2Pa] m ³ /h	930,21	1.038,31	1.146,40	1.254,49							
	Q[-10Pa] m ³ /h	2.147,80	2.392,56	2.637,31	2.882,07							

Sample order

GE120-XL	1200	800
----------	------	-----

1

2

3

1. product
2. width
3. height

Approvals and certificates

All our grills are submitted to tests by official test institutes. Reports of these tests form the basis for the approvals of our grills.